

BROKIS®



MUFFINS

CM12239

PC865, PC851



COMPONENTS OF PACKAGING:

1x ceiling bracket with canopy
3x hex screws (M5x16)
2x hex screws (M4x12)
2x hex keys
1x wire rope stop with ceiling anchor
3x terminal connectors
1x glass shade
1x wooden body
3x silicone rings
2x plastic cable stop
1x cotton gloves
1x installation manual

WARNING:

Installation must be carried out by a qualified electrician only.

Switch off power at main circuit panel prior to installation!

The manufacturer assumes no liability for damage occurring in transport or resulting from incorrect installation.

Instalation time: 30 minutes / 2 persons



BROKIS®

BROKIS S.R.O.
ŠPANILOVA 1315/25
163 00 PRAHA 6 - ŘEPY
CZECH REPUBLIC

ORG. ID 64940799
VAT ID CZ64940799
C 42174 MĚSTSKÝ SOUD
V PRAZE

TEL +420 567 211 517
TECHNICAL@BROKIS.CZ
INFO@BROKIS.CZ
WWW.BROKIS.CZ



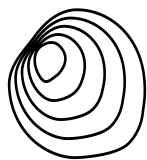
CLEANING THE GLASS

BROKIS applies the highest possible quality standards in manufacturing its lights. Prior to shipping, each light undergoes several quality controls and stages of cleaning. Lights may require additional cleaning as a result of transportation, storage, and the amount of time that passes between packing in our plant and subsequent unpacking by the client. Therefore, we emphasize cleaning the lights prior to installation.

The glass must first be rinsed in hot water, with a dilution of a dish-detergent used to remove all foreign particles and dust. Eventually repeat this basic treatment, if necessary. Afterwards the glass must have a second cleaning using hot water, with a dilution of a de-greaser (such as ammonia or vinegar). The glass must then be thoroughly rinsed with running hot water. Eventually repeat this treatment, if necessary. The glass is then thoroughly dried with a paper towel or a clean soft cotton towel. Only re-assemble the glass to the lamp body, when completely cooled down.

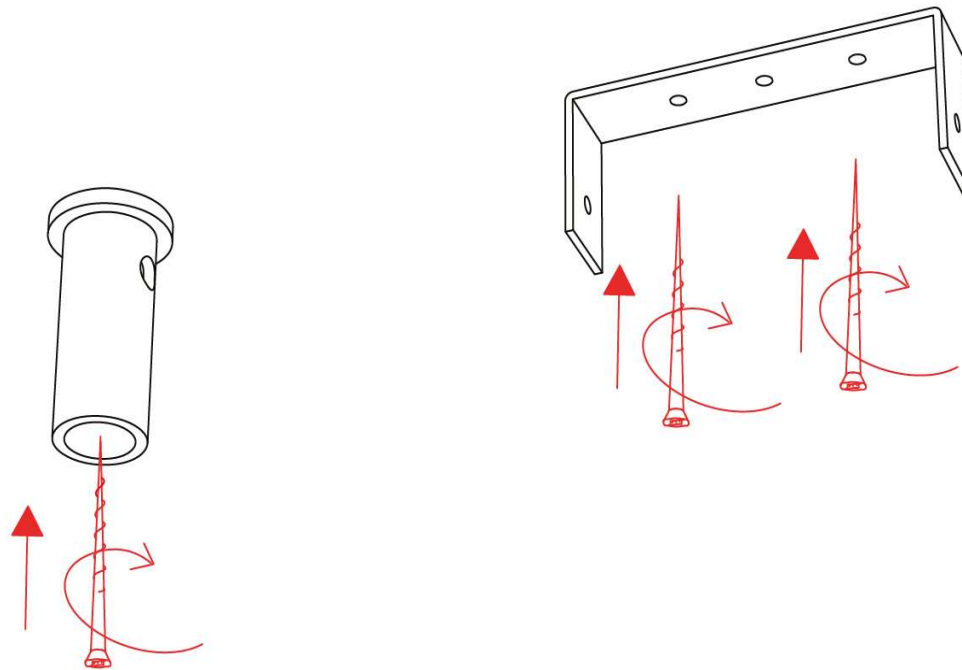
Do not use mineral spirits, highly concentrated thinners, or other substances not intended for use on glass surfaces. Also: do not use products, containing silicones – since they will rapidly attract more dust and grease.

PRIOR TO SHIPPING, THE FUNCTIONALITY OF EACH LIGHT AND ITS COMPONENTS IS THOROUGHLY TESTED. THE MANUFACTURER ASSUMES NO LIABILITY FOR THE MISHANDLING OF PRODUCTS.



1. INSTALLING THE CEILING BRACKET AND WIRE ROPE CEILING ANCHOR

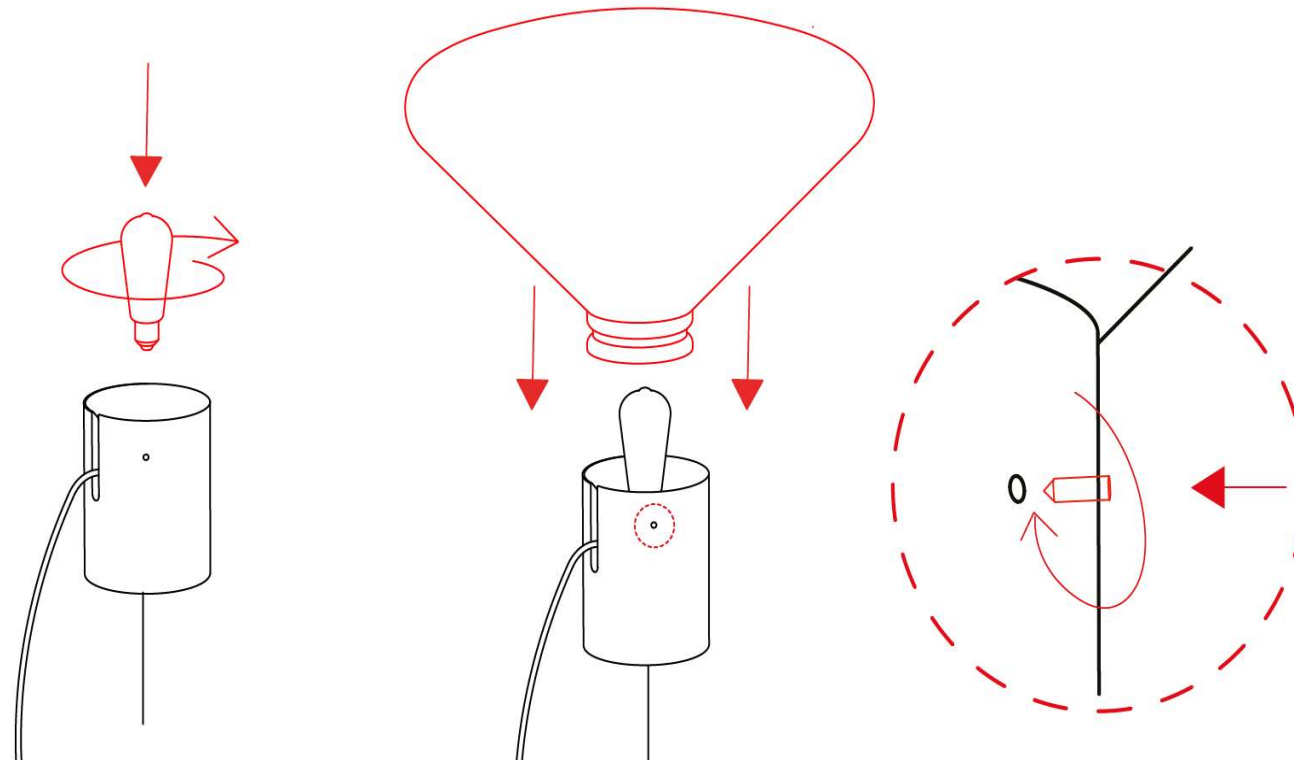
Using fasteners of sufficient strength (not included), secure the bracket and wire rope anchor to the ceiling. With regard to various types of ceilings, we recommend consulting installation with an expert. The manufacturer assumes no liability for incorrect installation, the use of improper fasteners, or defects in the material to which the load-bearing components are secured.



2. INSTALLING THE LIGHT SOURCE AND ASSEMBLING THE LIGHT

Install the light source in the fixture.

Insert the glass part of the shade into the wooden fixture so that the sticker with the logo placed on the shade is opposite the hole for the cable in the wooden fixture. Insert the three set screws and tighten them until flush with the wooden body. Failure to tighten the screws sufficiently may result in the glass shade falling out of the wooden body; on the other hand, sinking the screws beneath the surface of the wooden body will almost certainly result in damage to the glass shade. The manufacturer assumes no liability for damage resulting from incorrect installation of the set screws.

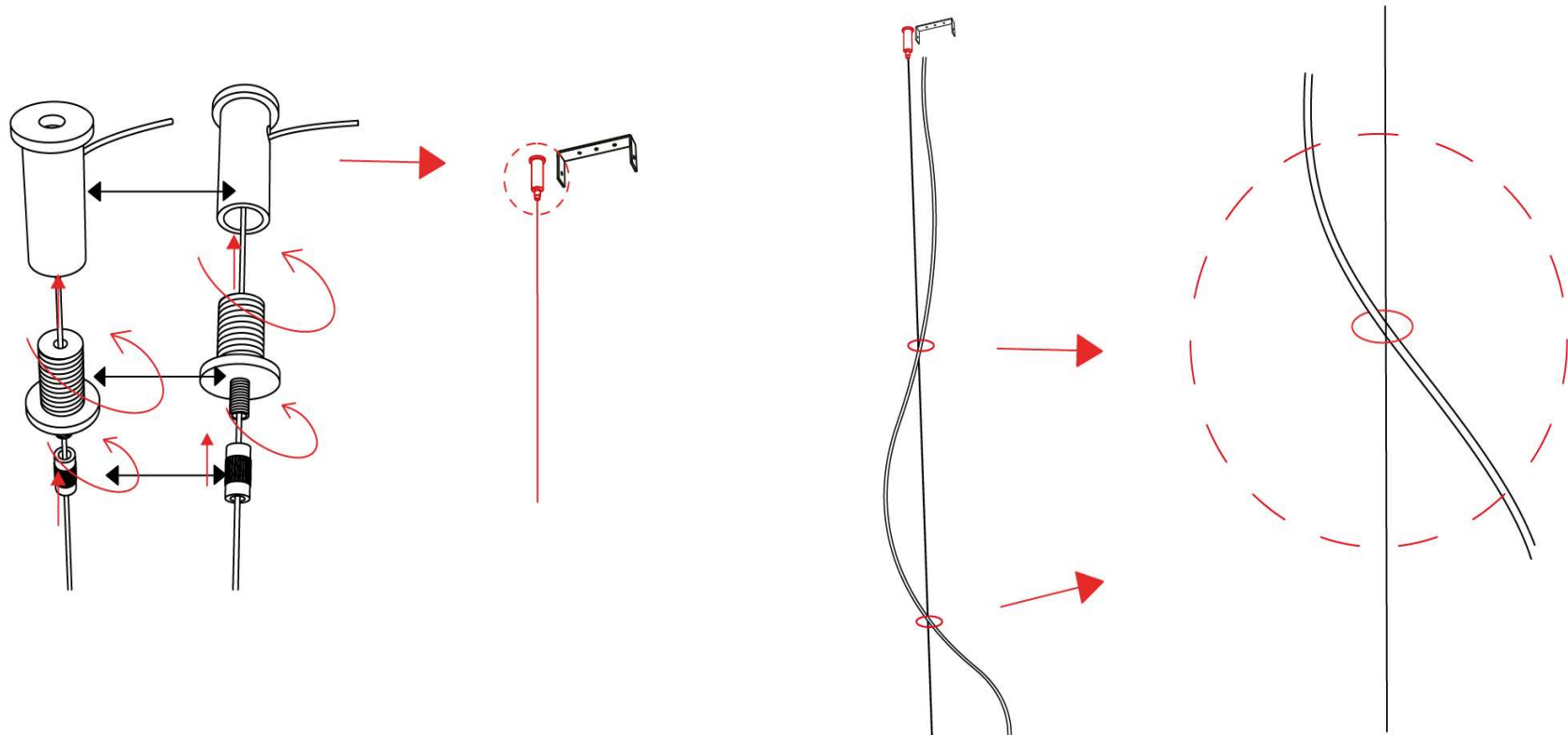


3. INSTALLING THE LIGHT

Ask an assistant to hold the assembled light (wooden body + glass shade).

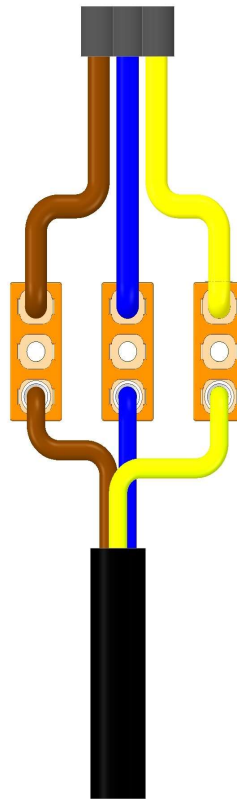
Thread the silicone rings onto the wire rope (they serve to undulate the power cable) and pass the wire rope through the first part of the wire rope stop, the so-called safety.

Unscrew the second part of the wire rope stop and slide it over the wire rope (ensure the end of the wire rope is not frayed). Press the two parts together to secure the wire rope. Next, pass the wire rope through the hole in the side of the ceiling anchor and cut it so that it partially extends from the anchor. Never cut the wire rope prior to installation. Adhering to these steps ensures safe anchoring of the wire rope, which bears the entire weight of the light.



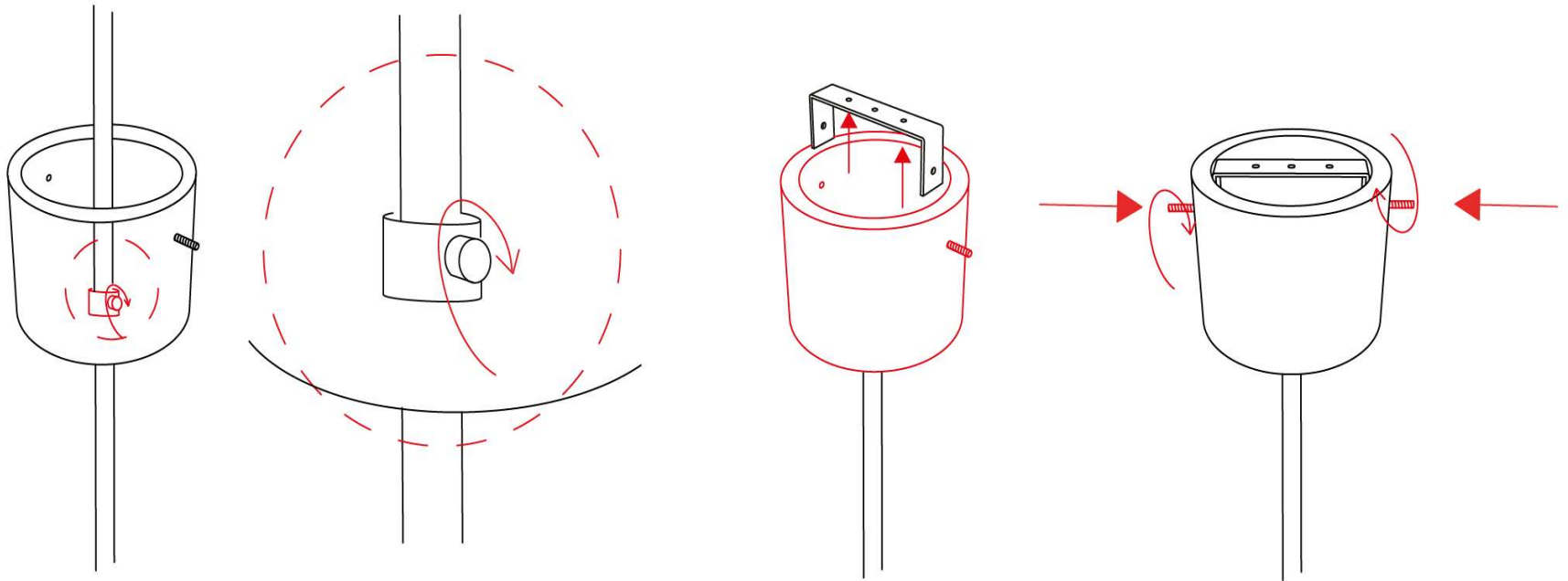
4. CONNECTING THE LIGHT TO THE BUILDING WIRING

Connect the light to the building wiring according to the connection diagram.



5. INSTALLING THE CEILING CANOPY

Pass the power cable through the silicone rings on the wire rope and then through the wooden ceiling canopy and secure it with the plastic cable stop. Connect the light to the building wiring, including the ground wire attached to the bracket. Use the two hex screws and hex key to secure the ceiling canopy to the bracket.



6. SWITCHING ON THE LIGHT

Restore power at the main circuit panel and verify that the light works properly.

